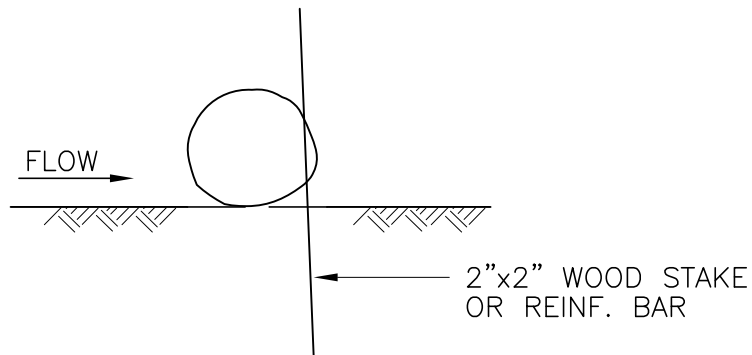


DITCH SECTION



FIBER ROLL SECTION

NOTE:
 STAKE TO BE INSTALLED AT AN ANGLE OF APPROXIMATELY
 45° ON THE DOWNSTREAM SIDE OF THE FIBER ROLL.
 ENSURE THAT STAKE DOES NOT PUSH DOWN
 THE FIBER ROLL FROM ITS FULL HEIGHT.

DITCH CHECK (FIBER ROLL)

FEBRUARY 2013



CITY OF LAKE ELMO

STANDARD DRAWING NO.

603

LAKE ELMO